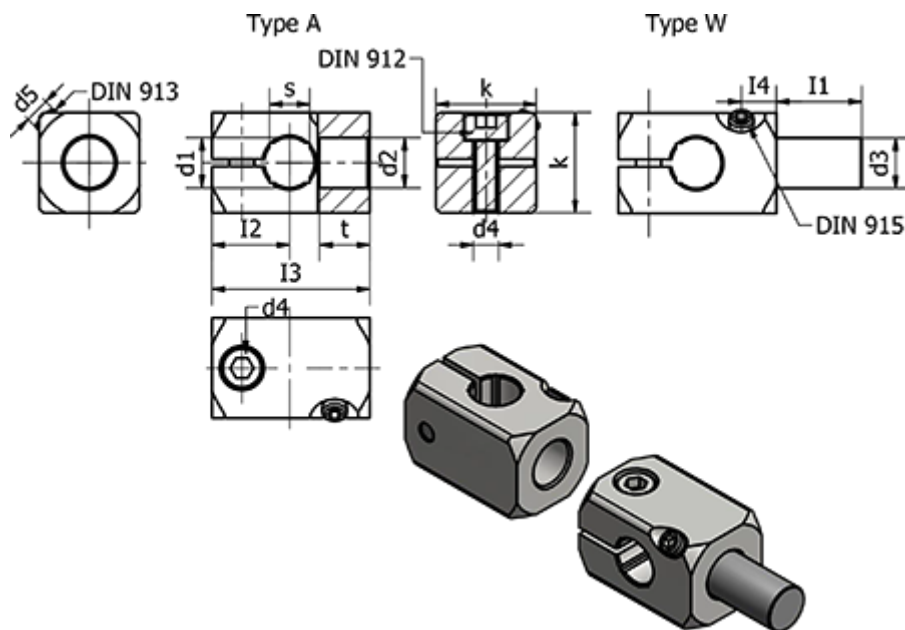


Article number: 20476B1515WMT

Description: E+G T-clamp mounting - GN 476-B15-15-W-MT

Measures



Clamping kit for d4 = GN 511-M6-25	l3	= 43.5	
d1	= 15	l4	= 10
d2	=	k	= 25
d3	= 15	s	= 12
d4	= M6	t	= 15
d5	= M6	Weight (g)	= 54
l1	= 21		
l2	= 20		